

QUOTATION

AUTHORIZED SALES PERSON SIGNATURE

Tim L. Hudson 7/25/24

Outdoor Creations Inc.

2270 Barney Road
Anderson, CA 96007
USA

PH# 530-365-6106 FX# 530-365-5129

Email tim@outdoorcreations.com

Date: 7/25/24

Quote No.: Q7428



SOLD TO

Palm Desert, City of
Accounts Payable
73-510 Fred Waring Drive
Palm Desert, CA 92260-2578
USA

SHIP TO

Custom Flat Benches
Brad Chuck 760-423-3392
bchuck@palmdesert.gov
Palm Desert, CA 92260

Sales Rep		Good Thru	Terms	Purchase Order	
Tim L. Hudson		8/24/24	Net 30 Days		
Qty.	UOM	Model #	Description	Unit Price	Amount
35	EA	Custom	Custom Block Leg 18" x 18" x 78" Flat Bench with Skate Deterrents and Reveal at Top.	2,368.00	82,880.00
35	<Each>	Cast In Logo	Cast In Logo - City of Palm Desert Logo Painted Black & Tan on two sides of bench		
	EA	LT SB	Light Sandblast		
	EA	NANO	Nano - Non-sacrificial sealer		
	<Each>	Tan	ODC Tan Color		
1	<Each>	Shipping	Must Be Taxed, Company Owned Truck	6,125.00	6,125.00

PLEASE FILL IN THE REQUIRED INFORMATION ON THE ADDITIONAL PAGE WITH THE TERMS AND CONDITIONS.

Please sign here to confirm your order and acknowledge that you have read and understand our terms and conditions

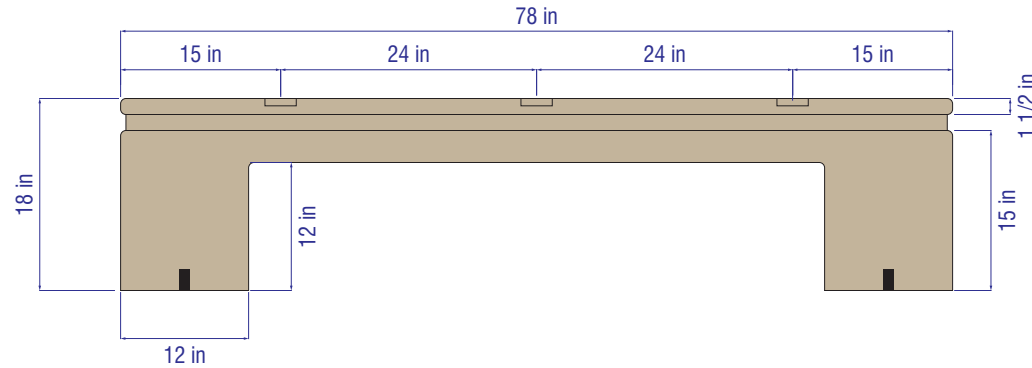
Forklift required upon delivery unless other arrangements made prior to order.

STANDARD DELIVERY A.R.O AND APPROVED SUBMITTALS/ORDER IS 16+ WEEKS (Does not apply to custom products).

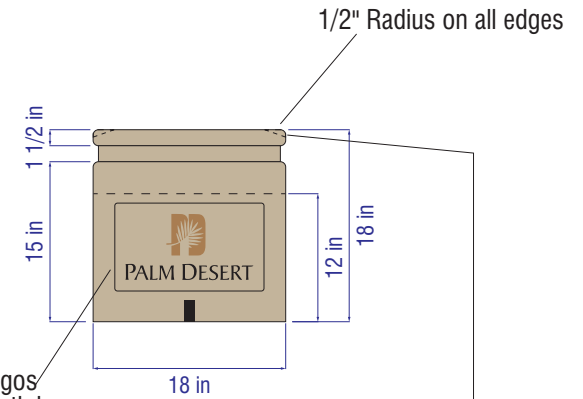
Subtotal	89,005.00
Sales Tax	6,897.89
TOTAL	95,902.89

Final sales tax will be calculated at time of shipping.

ELEVATION



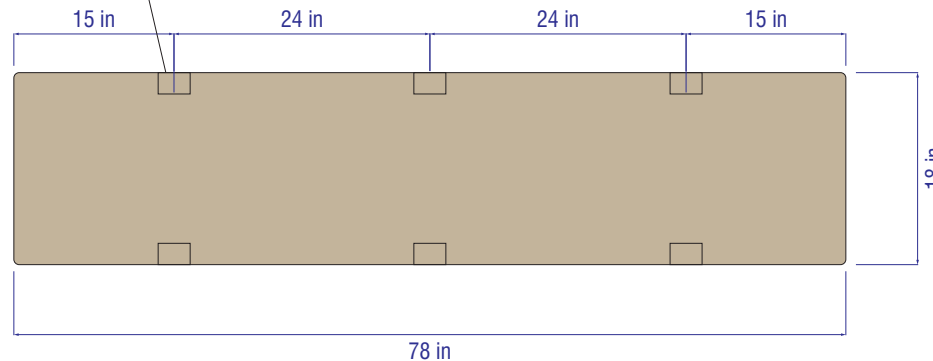
SECTION



(2) Cast in logos on outer of both legs painted black and tan (background color of concrete)
Size: 14" x 8 1/4"
NEW LOGO

PLAN

Anti-skate indents on both sides of bench



Anti Skate Indentation Profile



NOTES:

- Concrete mix design to include a mixture of Portland Cement, water, coarse and fine aggregates, pure mineral oxide coloring agents (when applicable) to yield a minimum compressive strength of 5000 psi.
- Final product shall be reinforced with #4 and #5 rebar grid.
- Product is cast in 1-piece with no assembly required.
- Hairline cracks may develop over time. These are not structural failures, but inherent characteristics of the material itself.
- Air pockets are a common occurrence in precast products. The frequency and size of air pockets are variable and to be expected, especially on vertical surfaces.
- Concrete corners and edges will chip if not handled according to guidelines. Patch kits are available but may or may not blend and can be variable.
- There is a level of care and maintenance associated with your product and is the responsibility of the end user. Choosing the right sealer can help minimize those costs.

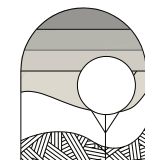
BENCH INSTALLATION::

This bench model will have cast in threaded inserts in the bottom of each leg. Bench will be supplied with coilrod for mechanical attachment, as an additional security method.
**Bench requires epoxy applied to cover bottom of entire leg. Epoxy adhesive should be checked periodically to ensure continued adhesion.

*Threaded inserts in legs for mounting dowels (1 per leg).
(2) 3/4" x 8" coilrods provided per bench for mounting.

*Paint colors:
Black
Tan: PPG 1090-6 Allegro

WEIGHT: 1200 LBS
TEXTURE: Light Sandblast
COLOR: ODC Tan
SEALER: Nano Tech Barrier



OUTDOOR CREATIONS INC.
2270 Barney Street
Anderson, CA 96007
(530) 365-6106
FAX (530) 365-5129



PALM DESERT

(2) Cast in logos
on outer both legs
painted black and tan
(background color of concrete)
Size: 14" x 8 1/4"
NEW LOGO

PLEASE NOTE:

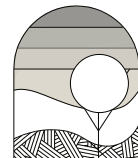
It is **VERY IMPORTANT** to carefully read over your artwork, this includes, but is not limited to, the spelling of names, dates, places, logos, etc. Outdoor Creations Inc. is not liable for replacement of product, if artwork has been approved. Replacement of product that was approved with incorrect spellings, dates, logos, etc will be the responsibility of the customer. Thank you for your understanding.

I have read the above statement and approve the artwork: _____

*Paint colors:

Black

Tan: PPG 1090-6 Allegro



**OUTDOOR
CREATIONS
INC.**

2270 Barney Street
Anderson, CA 96007
(530) 365-6106
FAX (530) 365-5129

QUOTATION

AUTHORIZED SALES PERSON SIGNATURE

Tim L. Hudson 7/25/24

Outdoor Creations Inc.
2270 Barney Road
Anderson, CA 96007
USA

PH# 530-365-6106 FX# 530-365-5129

Email tim@outdoorcreations.com

Date: 7/25/24

Quote No.: Q7357



**OUTDOOR
CREATIONS
INC.**

SOLD TO

Palm Desert, City of
Accounts Payable
73-510 Fred Waring Drive
Palm Desert, CA 92260-2578
USA

SHIP TO

Custom Dual Waste Receptacles
Brad Chuck 760-423-3392
bchuck@palmdesert.gov
Palm Desert, CA 92260

Sales Rep	Good Thru	Terms	Purchase Order
Tim L. Hudson	8/24/24	Net 30 Days	

Qty.	UOM	Model #	Description	Unit Price	Amount
35	EA	Custom	Custom 39" W x 33" T x 21 D Dual open top waste container. Reveal at 6" from Top. 7" wide slots on bottom for lifting purposes- 2 Liners included - SQT29	2,906.00	101,710.00
35	<Each>	Cast In Logo	Cast In Logo - 26" x 18" City of Palm Desert Logo Painted Black & Tan on one side of unit		
35	EA	Custom	Custom Lid - Powdercoated Recycle Blue with (2)RECYCLE Stickers - 9" Deposit Hole		
35	EA	Custom	Custom Lid - Powdercoated Bronze with (2)TRASH Stickers - 9" Deposit Hole		
	EA	LT SB	Light Sandblast		
	EA	NANO	Nano - Non-sacrificial sealer		
	<Each>	Tan	ODC Tan Color		
1	<Each>	Shipping	Must Be Taxed, Company Owned Truck	6,125.00	6,125.00

PLEASE FILL IN THE REQUIRED INFORMATION ON THE ADDITIONAL PAGE WITH THE TERMS AND CONDITIONS.

Please sign here to confirm your order and acknowledge that you have read and understand our terms and conditions

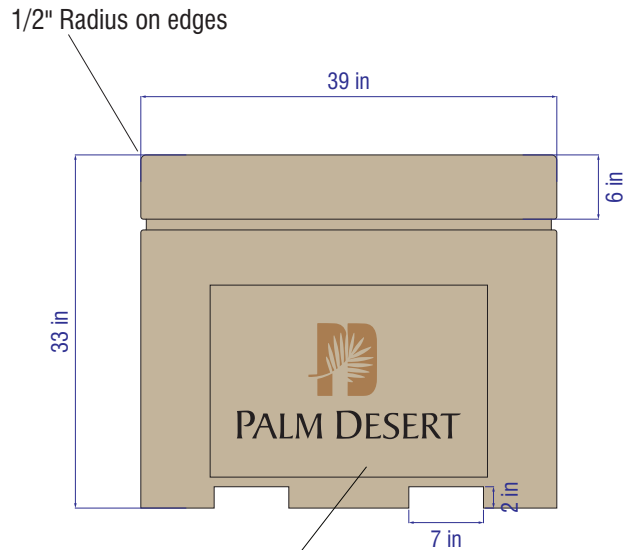
Forklift required upon delivery unless other arrangements made prior to order.

STANDARD DELIVERY A.R.O AND APPROVED SUBMITTALS/ORDER IS 16+ WEEKS (Does not apply to custom products).

Subtotal	107,835.00
Sales Tax	8,357.21
TOTAL	116,192.21

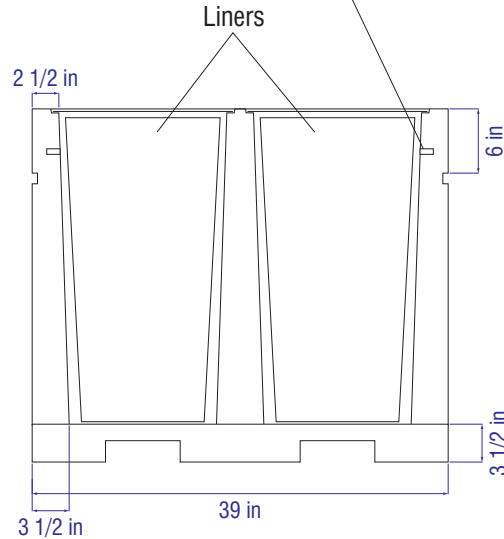
Final sales tax will be calculated at time of shipping.

ELEVATION

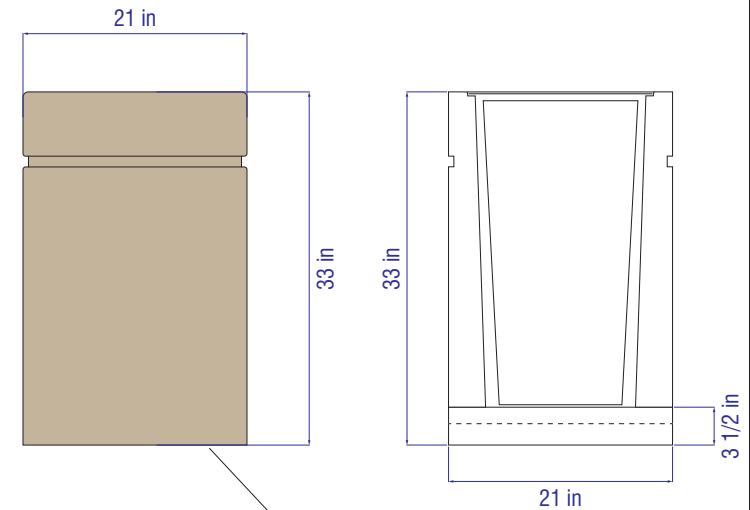


Unit to be light sandblast
EXCEPT logo and area around logo
(1) Rectangle area around logo, cast in.
Artwork at face of unit, painted black and tan
Size: 26" x 18"

Threaded steel
inserts for attaching
lid retaining cable



SIDE VIEW

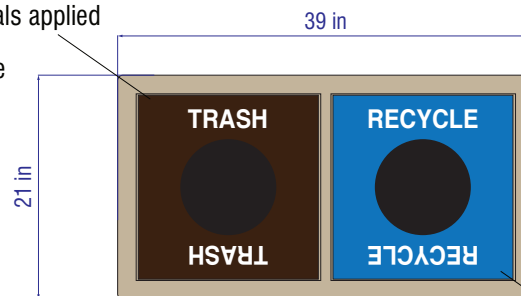


Recommended to secure trash
receptacle to concrete
slab with construction epoxy.

*Paint colors:
Black
Tan: PPG 1090-6 Allegro

PLAN

Steel lid, powdercoated
Color "Bronze"
GR1372-BR340
(2) "Recycle" decals applied
to lid, white vinyl
9" dia. deposit hole



Logo on this side of receptacle

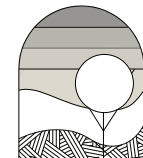
*Unit includes (2) Plastic Liners: SQT29

NOTES:

1. Concrete mix design to include a mixture of Portland Cement, water, coarse and fine aggregates, pure mineral oxide coloring agents (when applicable) to yield a minimum compressive strength of 5000 psi.
2. Final product shall be reinforced with #4 and #5 rebar grid.
3. Product is cast in 1-piece with no assembly required.
4. Hairline cracks may develop over time. These are not structural failures, but inherent characteristics of the material itself.
5. Air pockets are a common occurrence in precast products. The frequency and size of air pockets are variable and to be expected, especially on vertical surfaces.
6. Concrete corners and edges will chip if not handled according to guidelines. Patch kits are available but may or may not blend and can be variable.
7. There is a level of care and maintenance associated with your product and is the responsibility of the end user. Choosing the right sealer can help minimize those costs.

WEIGHT: 1500 LBS.
TEXTURE: Light Sandblast
COLOR: ODC Tan
SEALER: Nano Tech Barrier

Steel lid, powdercoated
Color "Recycle Blue"
GR1372-BL01
(2) "Recycle" decals applied
to lid, white vinyl
9" dia. deposit hole



**OUTDOOR
CREATIONS
INC.**
2270 Barney Street
Anderson, CA 96007
(530) 365-6106
FAX (530) 365-5129